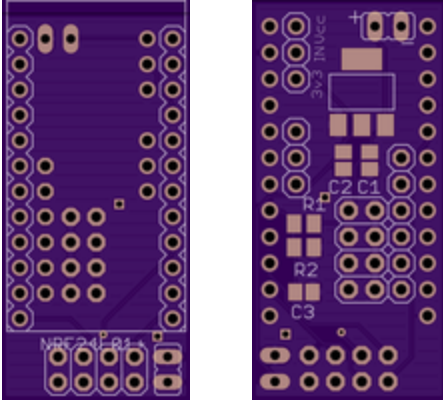


MySensor, 3.3V or 5V Pro Mini, w/ NRF24L01+ V2.0



2 layer board of 0.74x1.52 inches (18.72x38.61 mm).

Uploaded on July 2nd, 2015 02:31.

[OSHPark Link](#)

COST: 3 boards at \$5.60 per batch of three.

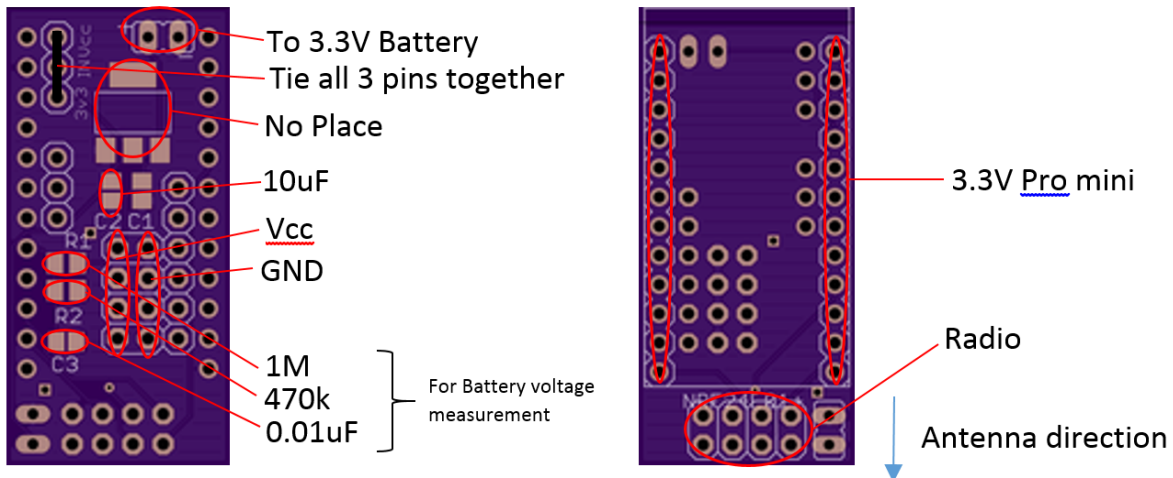
PCB will take 3.3V pro mini or 5V pro mini and connects to NRF24L01+ radio.

Version 2 Fixes

- some orphaned Ground Planes
- Replaces the thru-hole resistors with SMD
- adds 4 power “ports” for various things like relay, PIR, and Temp sensors

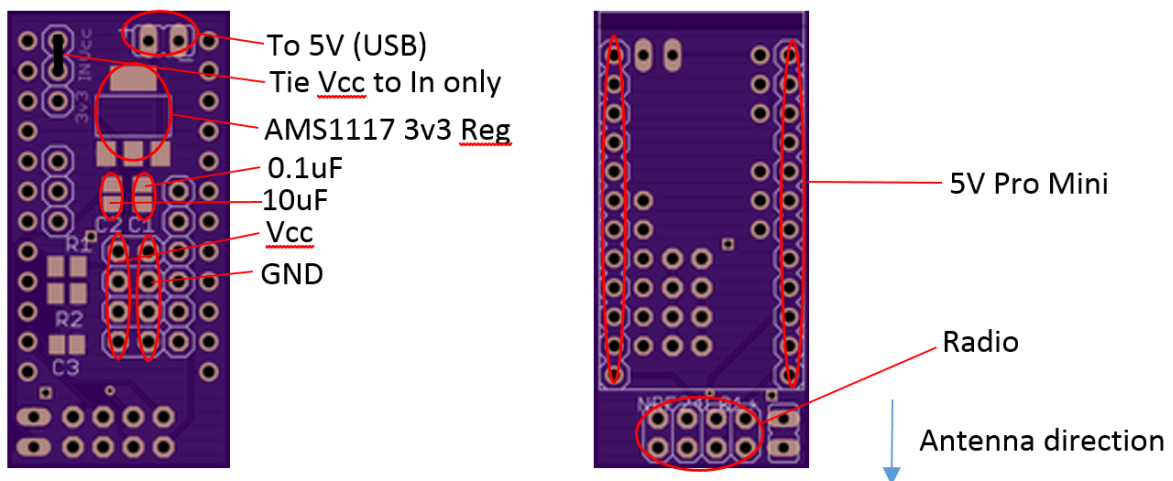
For 3.3V Battery (2 AA) powered Sensor:

- No place the AMS1117 regulator
- Tie 3v3,IN,and VCC together.
- Can also place Resistors R1 (1M) and R2 (470k), and C3 (0.01uF) to measure battery voltage on A0
- Should also place C2 (10uF or whatever works best in your environment) for more stability on Radio.



For 5V powered sensor (like from USB charger):

- Place AMS1117 3.3V regulator.
- Place C1 and C2
- Tie VCC to VIN option.
- *Do NOT place R1, R2, or C3 (no battery sensor).*



Other Notes

- D8 – D3 have extra headers
- A3 – A1 have extra headers
- A7 – A4 have headers on pro mini itself.
- See mySensors.org for more information. This PCB is not officially affiliated with MySensors.